

# AIRLINE ROAD

## SPID TO McARDLE ROAD

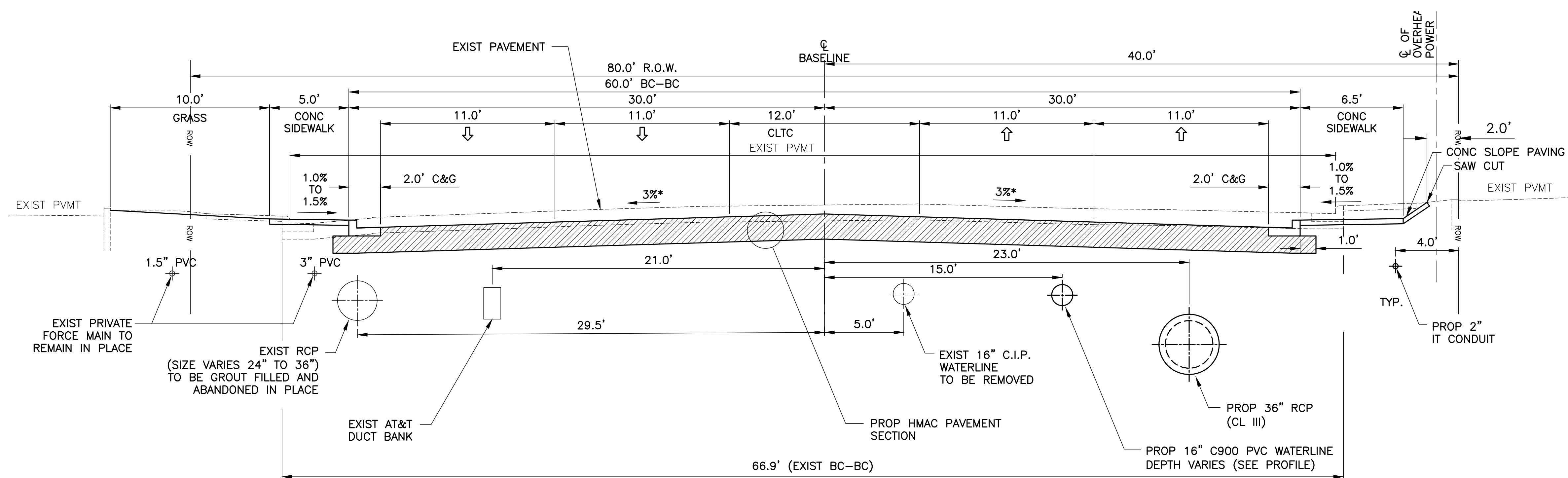
(BOND 2018)

### PROJECT NO. 18004A



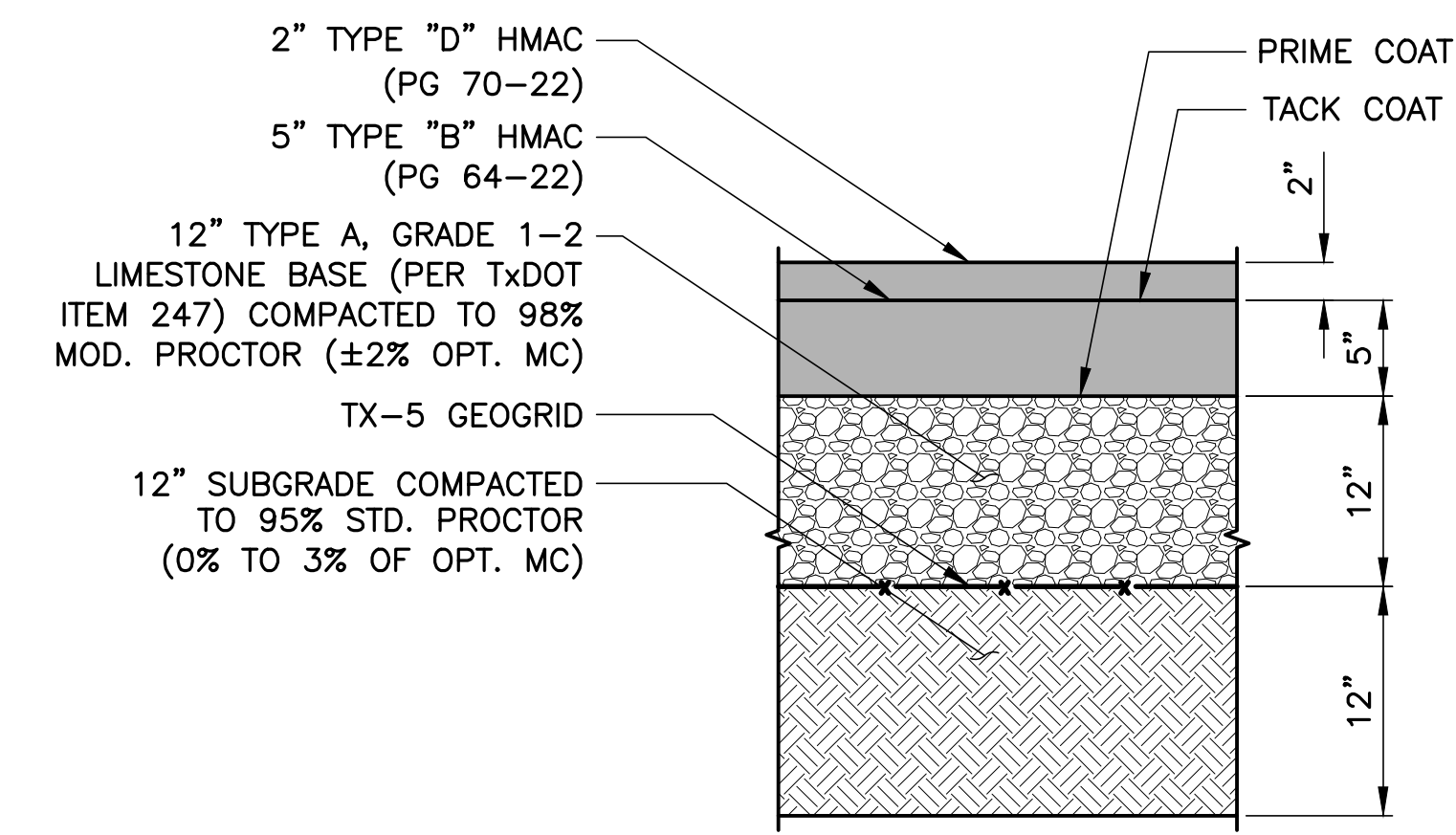
# LNV

engineers | architects | surveyors  
 801 NAVIGATION, SUITE 300  
 CORPUS CHRISTI, TX 78408  
 WWW.LNVINC.COM TBPE FIRM NO. F-366 TBPLS FIRM NO. 10126500  
 PH. (361) 883-1984  
 FAX (361) 883-1986



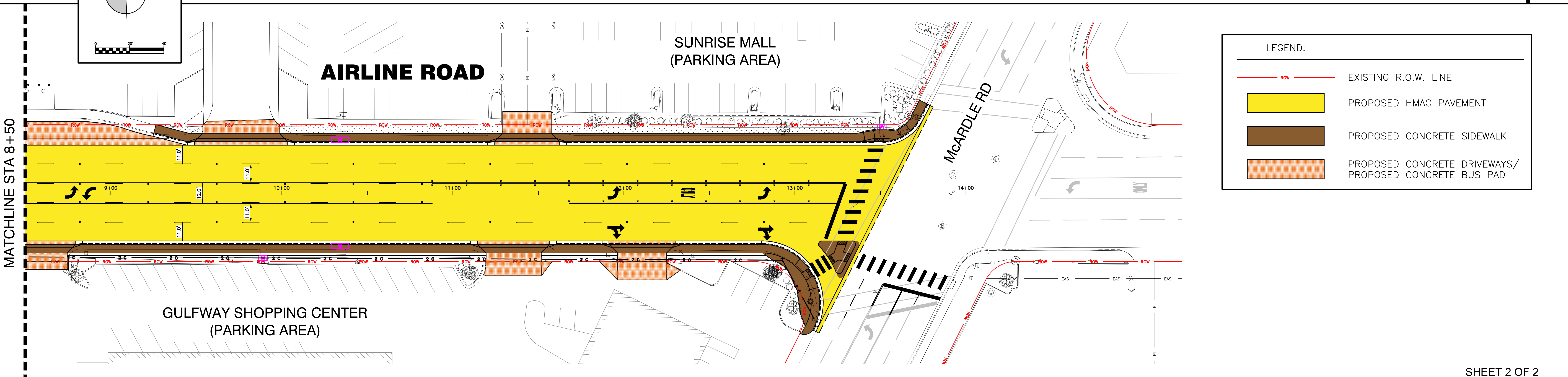
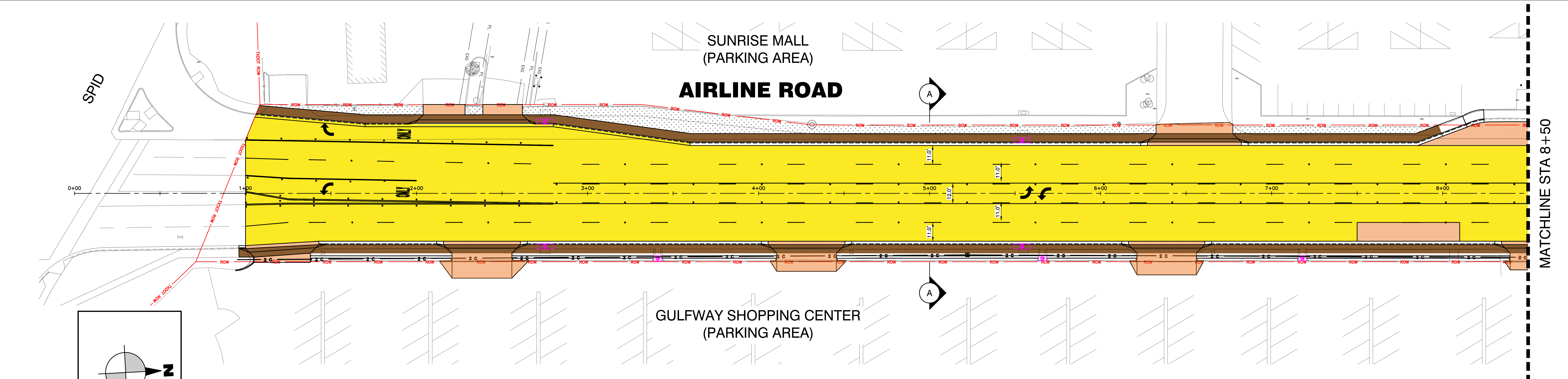
TYPICAL NEW ROAD SECTION 'A-A' (LOOKING NORTH)

SCALE: NTS



PROPOSED HMAC PAVEMENT SECTION

SCALE: NTS



LEGEND:

- EXISTING R.O.W. LINE
- PROPOSED HMAC PAVEMENT
- PROPOSED CONCRETE SIDEWALK
- PROPOSED CONCRETE DRIVEWAYS/ PROPOSED CONCRETE BUS PAD